

# 8' x 5' Storage Shed

Acton Precast Concrete Limited

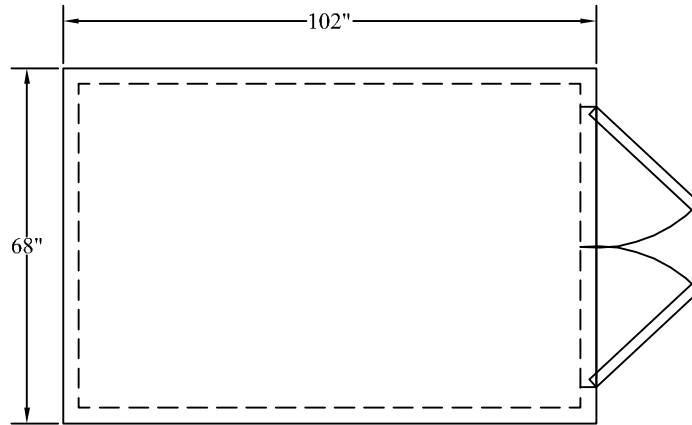
## Notes:

Concrete: 32 mpa Air 5-7%

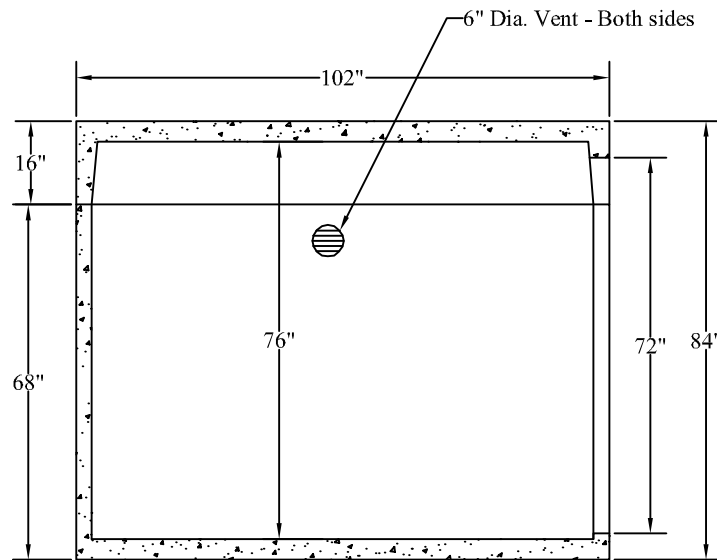
Reinforcing: 10m Grade 400w

Finish: Steel form smooth

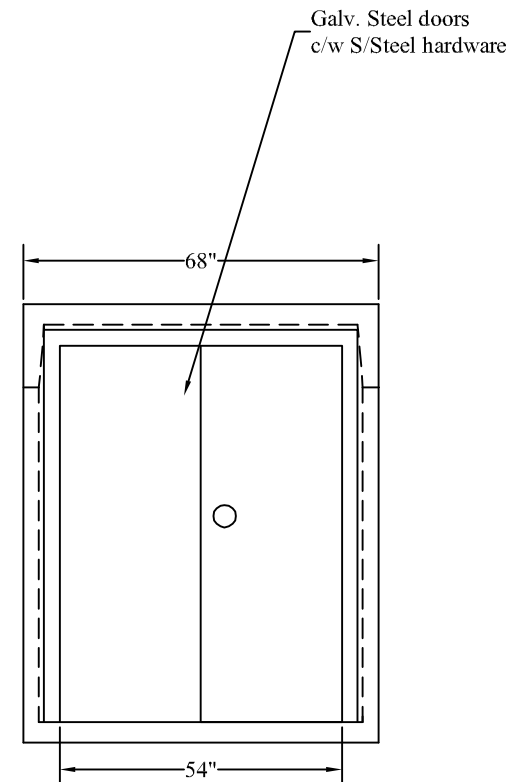
Weight: 13,000 lbs



Plan View



Section



End View