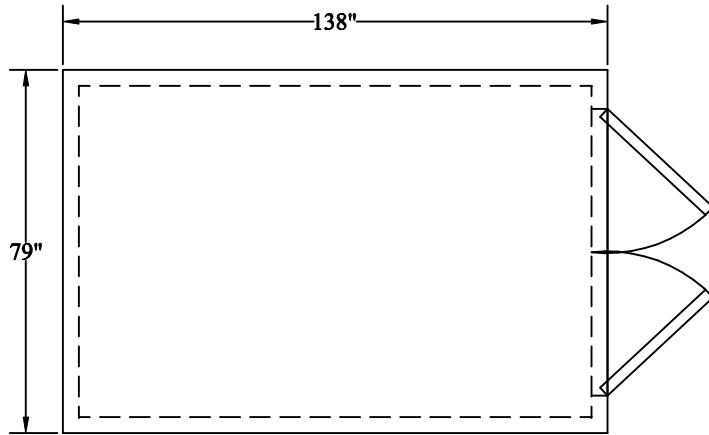


# 138 x 79 Storage Shed

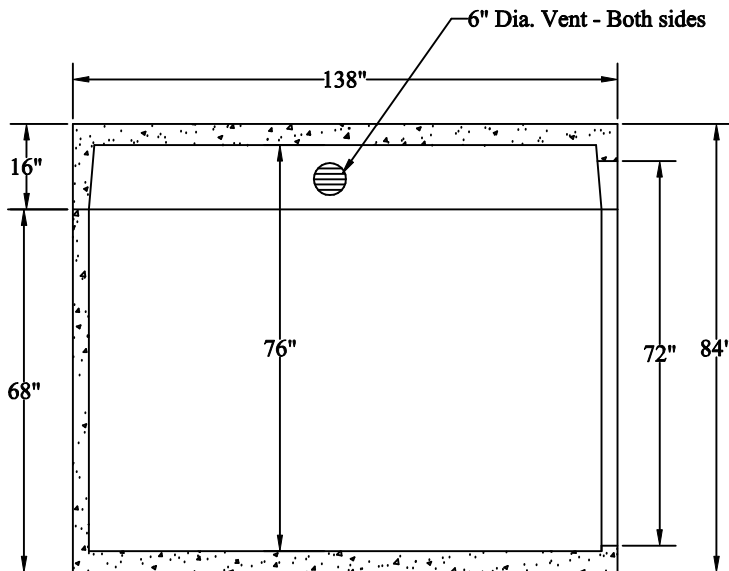
Acton Precast Concrete Limited

## Notes:

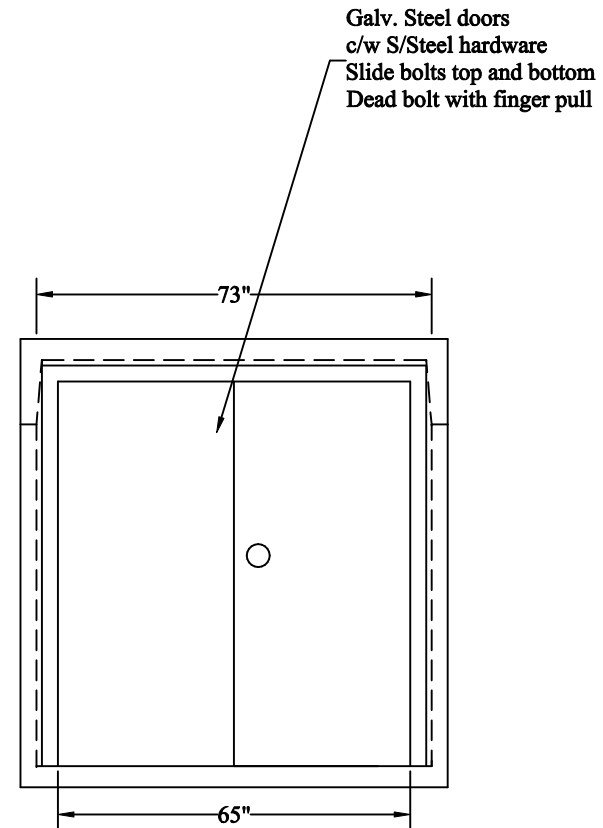
Concrete: 32 mpa Air 5-7%  
Reinforcing: 10m Grade 400w  
Finish: Steel form smooth  
Weight: 17,000 lbs



Plan View



Section



End View